

# 563

Choose Smarter.  
Choose FBD.®

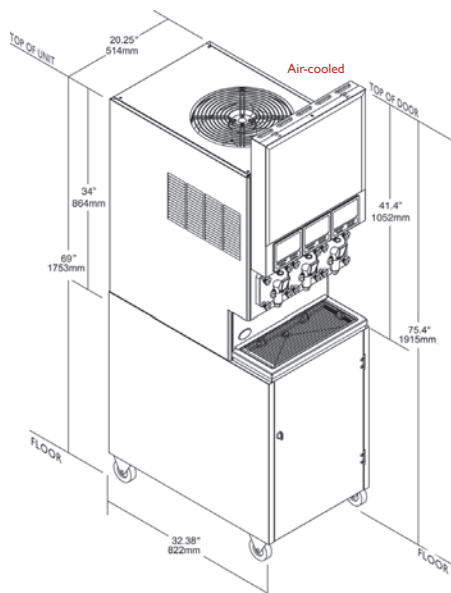
FROZEN  
**FBD** BEVERAGE  
DISPENSERS

## 563 SPECIFICATIONS



### 3-Barrel Dispenser

(Shown with standard door. Customized solutions available.)



### DIMENSIONS

Countertop unit  
Width: 20.25 in (514mm)  
Depth: 32.38 in (822 mm)  
Height: 41.40 in (1052 mm)  
(with merchandiser door)

Unit on base cart  
Height: 75.40 in (1915 mm)  
(with merchandiser door)

### ELECTRICAL REQUIREMENTS

215 to 245VAC, single phase; 3 wire, 30 amp (50Hz) or 20 amp (60 Hz); uses NEMA # L-620R receptacle

Refrigeration unit:

19,000 BTU/Hr, R-404A (50Hz)

15,000 BTU/Hr, R-404A (60Hz)

### SPACE REQUIREMENTS

Sides or back: 2 in (51 mm) minimum  
Top: 12 in (305 mm)

### WEIGHT

Operating unit: 390 lb (177.0 kg)

Base cabinet: 80 lb (36.3 kg)

### SYRUP CONNECTION

Bag-In-Box (BIB)

### MOTORS

Beater: (3) 1/6 HP

Fan: (1) 1/6 HP

### WATER REQUIREMENTS

Fresh water, minimum 3/8" supply

### OPTIONAL ACCESSORIES

Base cabinet w/casters (Part # 12-2516-0001)

Leg kit (set of four) (Part # 12-2533-0001)

Painted or stainless steel side panels

Water-cooled unit

Various door options (see spec sheet)

Remote condenser (see spec sheet)

# THE ULTIMATE PROFIT DISPENSER



FBD strives for continuous improvements and engineering innovations.  
Equipment design and/or specifications may change without notice.

**FBD** - Frozen Beverage Dispensers  
8161 Interchange Parkway, Suite 115 • San Antonio, TX 78218  
210.637.2800 • 1.866.323.2777 • Fax: 210.637.2832 • www.fbdfrozen.com  
Copyright © 2011 by FBD Partnership, LP, All Rights Reserved.